

Perform-Series

Line-Array Systems.



PT-6 loudspeaker system in line array technology



The Fohhn® PT-6 is a compact, high-performance loudspeaker system in line array technology. 6x 6.5" neodymium and 3x 1.4" neodymium compression drivers with HF phase EQ. Twin coaxial speaker construction. Weighs just 39 kg. Two-way active/ bi-amp modes.


Description

The new Fohhn® PT-6 is an extremely powerful plug & play loudspeaker system in line array technology designed for stand mounted, stacked or flown applications. Six 6.5" mid-to-low range long excursion speakers offer a lower cut-off frequency and more powerful performance. Three high performance 1.4" compression drivers and a specially developed HF phase EQ ensure crystal clear, precise reproduction of high frequencies.

Construction-wise, the compression drivers and cross-over frequencies have been tailored in order to optimise the system's horizontal beam characteristics.

A vertical dispersion angle of 30° guarantees excellent results even in challenging acoustic environments, while a 110° horizontal dispersion angle makes the loudspeaker ideal for a wide range of sound reinforcement applications and venues such as festival tents, clubs, smaller open-air events and concert halls.

An essential system amplifier

 The PT-6's Bi-Amping mode has been exclusively geared towards using the loudspeaker with the new 4-channel D-4.1200 DSP amplifier. This ensures the best possible sound performance, maximum operating reliability and simple plug-and-play connection. 2x PT-6 tops can be used with one D-4.1200.



Subwoofer

We recommend using the Fohhn subwoofer system PS-9 active XS-4 and XS-4 passive to maximise system performance for live music events. Fohhn® DSP processor technology modulates the PT-6 and Fohhn subwoofers perfectly. Digital Fohhn signal processors are integral components of active Fohhn subwoofers, Fohhn DSP amplifiers and Fohhn DSP controllers. DSP-controlled Fohhn devices can be controlled remotely from a central location in the room or on the stage via intuitive remote control units. Fohhn therefore offers a perfectly adapted sound system that fulfils all the requirements of a modern speaker system regarding design, sound quality and operating comfort in every respect.

Applications

wide range of sound reinforcement applications and venues such as festival tents, clubs, smaller open-air events and concert halls, etc.

Connections

2x NL4MP Neutrik Speakon.

Accessories

VPT-6 universal bracket for flying and stacking applications.

PT-6 loudspeaker system in line array technology

Technical specifications

electro-acoustical features

acoustic design	2-way Bi-Amping full-range loudspeaker system in line array technology, bass reflex, fully hornloaded	
components	6x 6,5" long excursion chassis, 3x 1,4" compression driver on hornloaded Waveguide, fully neodymium	
power rating LMF/HF (nominal) ^[1]	900 W / 210 W	
power rating LMF/HF (program) ^[2]	1800 W / 420 W	
power rating LMF/HF (peak) ^[3]	3600 W / 840 W	
sensitivity LMF/HF ^[4]	101 dB / 114 dB	
maximum SPL LMF/HF ^[3]	135 dB / 138 dB	
frequency range ^[5]	65 Hz – 20 kHz	
nominal dispersion (h x v) ^[6]	100° x 30°	
nominal impedance LMF/HF	6 ohms / 24 ohms	

features

enclosure	multiply birch plywood	
protection grille	ball impact resistant metal, powder coating	
suspension points	6x M10 and 2x M8 thread	
connectors	2x Neutrik NL4 speakon	
standard colour	scratch-resistant polyurethan coating, black	
front design	acoustic transparent foam in enclosure colour	
dimensions (W x H x D)	500 x 610/390 x 455 mm	
weight ^[7]	39 kg	

optional features

integrated 100 V-transformer	-	
optional colours	all RAL-colours	
weather resistance	Membranimpregnierung	

CAAD simulation data EASE

The manufacturer reserves the right to make technical modifications according to legal regulations stipulating the continual improvement of product features.

^[1] according to IEC-60268-5 long term

^[2] according to IEC-60268-5 short term

^[3] Peak, 20 ms with bandpass filtered pink noise signal according to IEC 60268-2 at one octave above the lower limit of the frequency range

^[4] 2,83 V at 8 ohms (2 V at 4 ohms, 4 V at 16 ohms) at a distance of 1 meter under anechoic fullspace conditions

^[5] -10 dB under anechoic halfspace-conditions

^[6] horizontal x vertical at -6 dB, rotatable horn

^[7] net weight without optional equipment

^[1] Intelligent Protection Circuit. Voltage-controlled semiconductor circuit protecting the HF-driver against overload highly effective and with very short attack time.



1. Fohhn system DSP amplifiers

Fohhn offers a range of specially adapted system DSP amplifiers for controlling speaker systems, which guarantee maximum sound performance and operational reliability for your Fohhn products. As manufacturers of speaker, amplifier and DSP technology, we know our systems inside and out right down to the smallest detail and are therefore in a perfect position to provide our users with the best overall system.

Fohhn System DSP amplifier are offering following advantages:

Integrated high-performance DSP technology:

- quick set-up,
- minimal space requirements in electronics cabinet,
- minimal cable requirements,
- fewer cable faults,
- controller and amplifier can be controlled and monitored using the same software.

Dual DSP technology

The DSP amplifiers contain 2 separate DSP engines with enormous capacity and processing power for 5 digital audio devices (DSP-1) and Fohhn specific speaker databases (DSP-2).

Remote monitoring and control

Integrated temperature and operating time monitor, status indicator / protection, remote control capability / network compatibility using a laptop, wall installation modules or media control systems.

Fohhn® dual DSP technology

DSP-1: Integrated digital audio devices

Each amplifier channel has a:

- programmable 10 band parametric EQ,
- compressor/limiter/noise gate,
- delay,
- X-over function,
- top-quality pink noise and sweeptone generator

DSP-2: Speaker management

An integrated speaker database guarantees excellent sound quality and protection for all Fohhn speaker types. A sophisticated algorithm developed by Fohhn engineers and adapted to each speaker allows the individual monitoring and adjustment of bass, mid and high ranges.

A-2.2100 system amplifier for WaveLine



Dual-channel DSP amplifier, max. 2 ohms operation, Class H, extremely lightweight (only 14 kg), power pack, in 2 U designer housing, operation and remote control via laptop. Integral Fohhn Audio DSP for each amplifier channel with 2x 10 band EQ (fully programmable), delay, variable high/low pass filter and dynamic processor. Presets for all Fohhn speakers. Ideal for both mobile applications and permanent installations. System amplifiers for the WaveLine line array system. Without wearing digital potentiometers for volume control are located on the back. Dimensions are 2U / 19" 483 mm x 88 mm x 454 mm.

Temperature-controlled fans and noise gate.

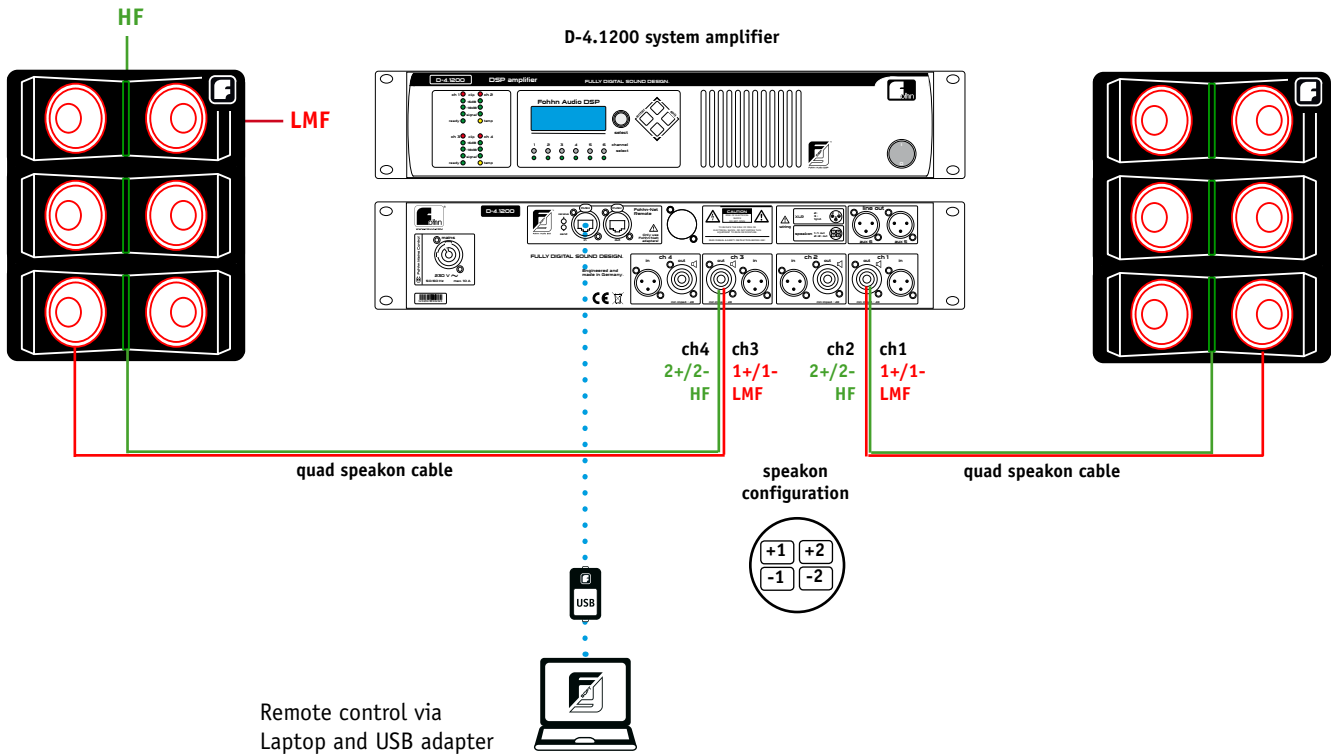
D-4.1200

4+2 channel operation, 4x 1200 W / 4 ohms, 4x 750 W / 8 ohms

2x DSP line out channels for controlling a conventional amplifier

Fohhn Audio DSP, display, remote control

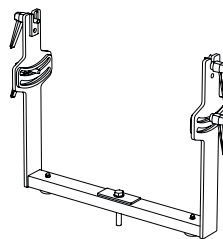
Wiring Bi-Amping PT-6 and D-4.1200



Accessories for PT-6

VPT-6

Universal bracket for PT-6 for flying and stacking applications.



AM-20

Adapter M20/M12 for mounting the VPT-6 on a subwoofer with M20 thread



SA-3

Reducing flange, 36mm dia. with M10 female thread for universal brackets VPT-6



Clamp LC-50

clamp LC-50 with 50 mm diameter (TV-spigot needed)

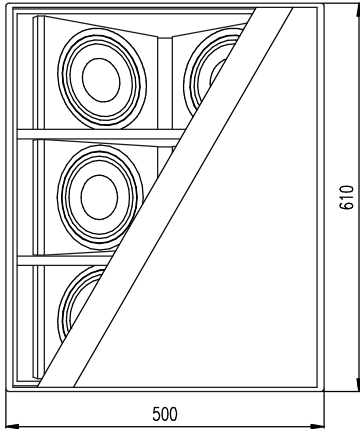


TV-spigot

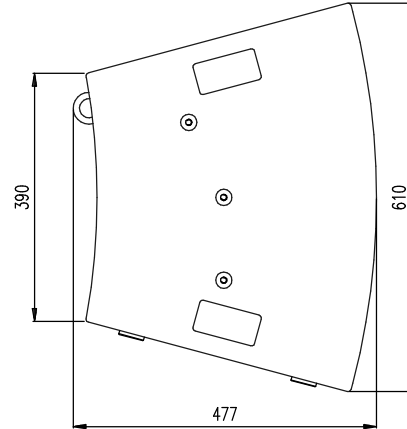
TV-spigot for Clamp LC-50 with 28 mm diameter and M10 female thread



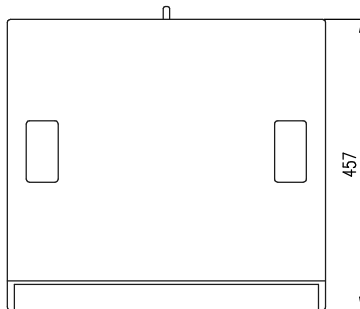
Front view



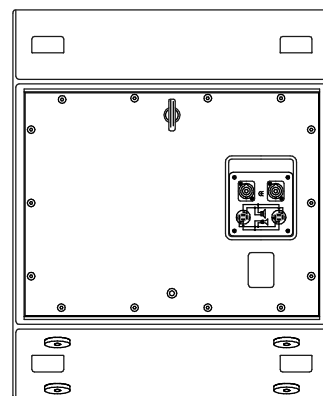
Side view



Top view

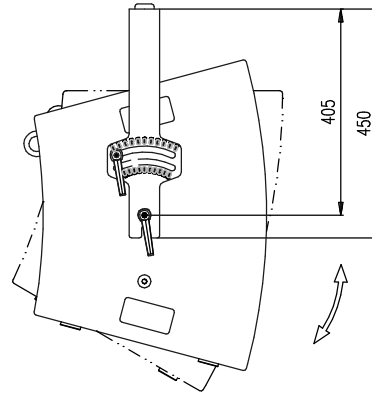
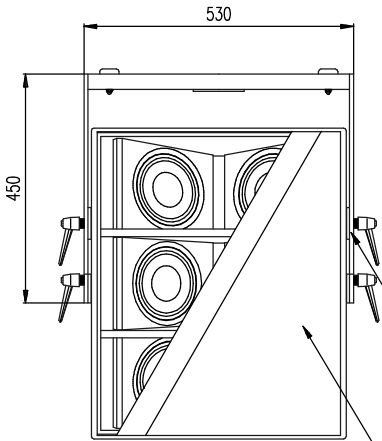


Rear view



Front view

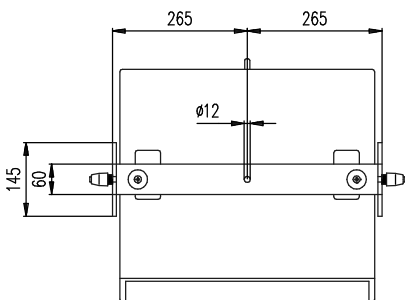
Side view



VPT-6 Bestellnr. 8315-B0000
VPT-6 Order number 8315-B0000

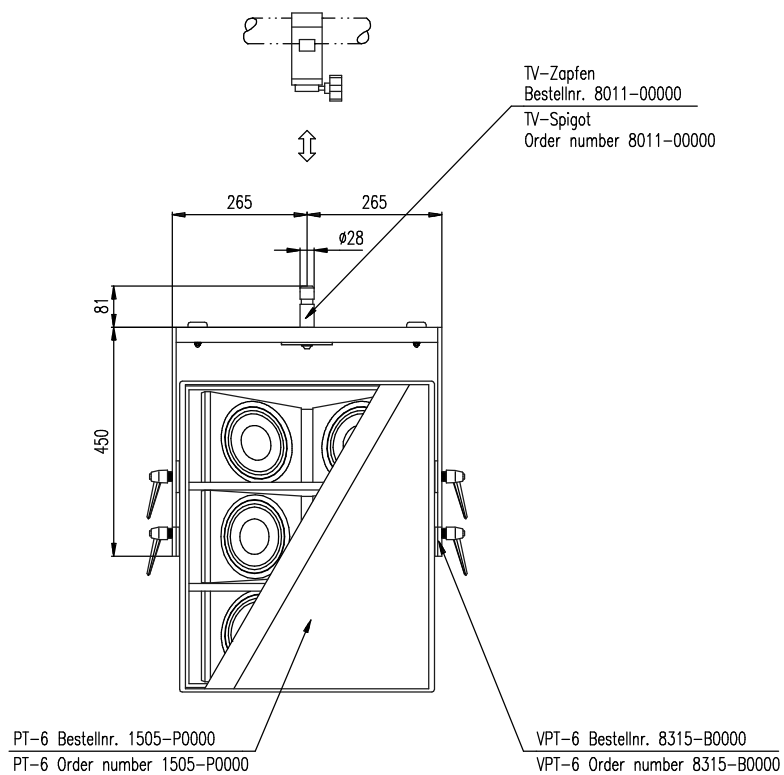
PT-6 Bestellnr. 1505-P0000
PT-6 Order number 1505-P0000

Top view

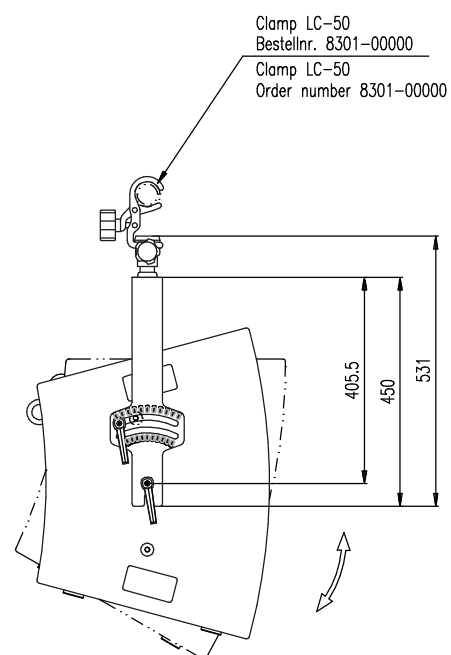


VPT-6 + Clamp LC-50

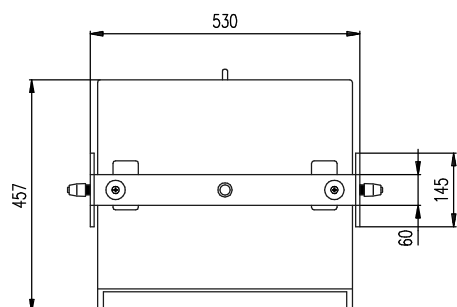
Front view



Side view

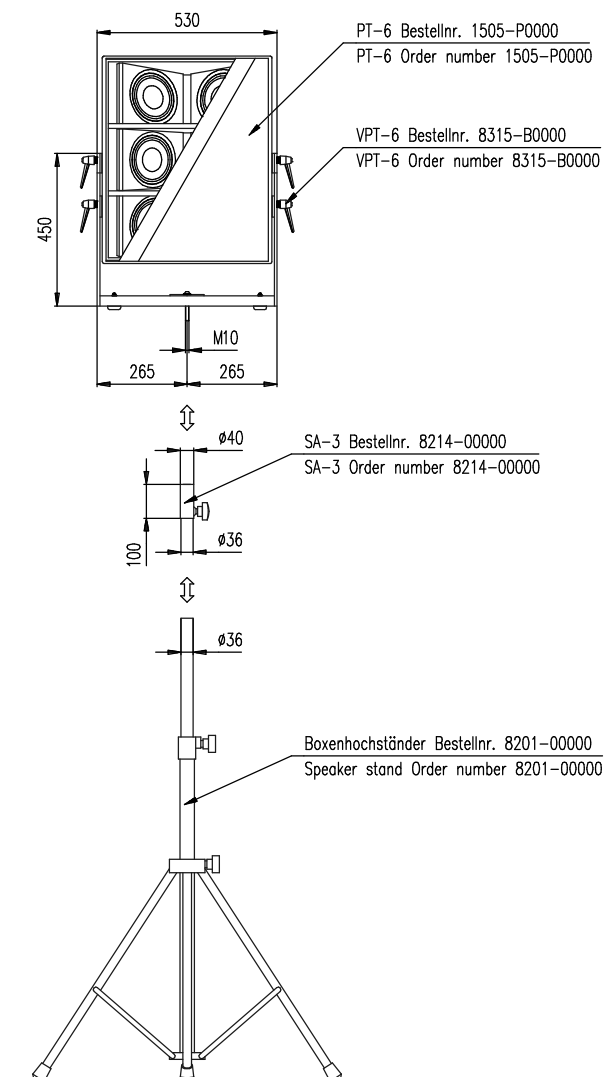


Top view

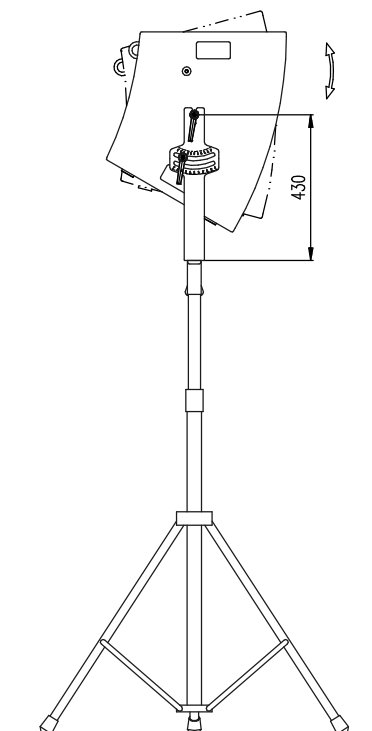


VPT-6 + SA-3

Front view

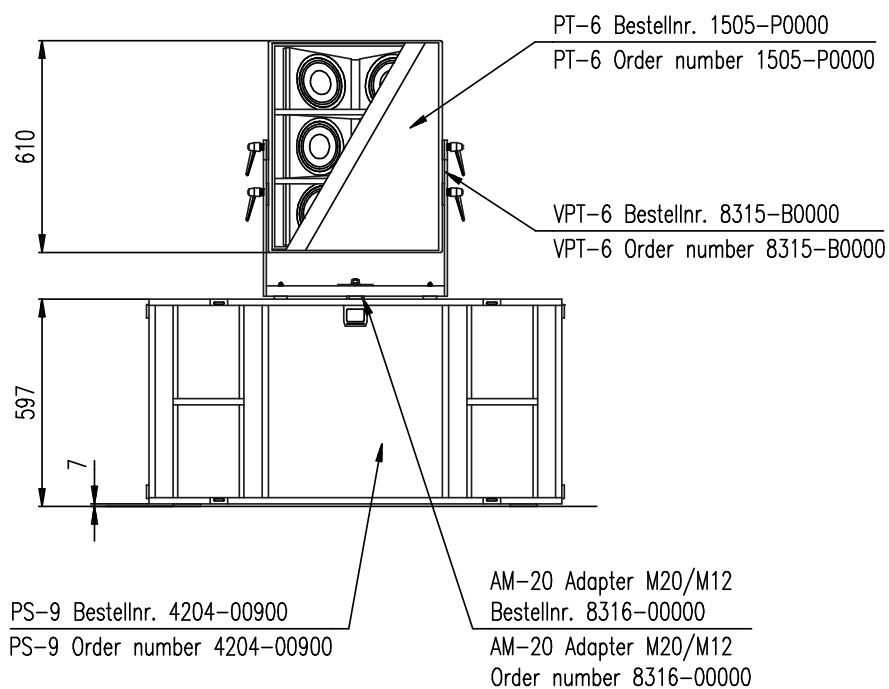


Side view

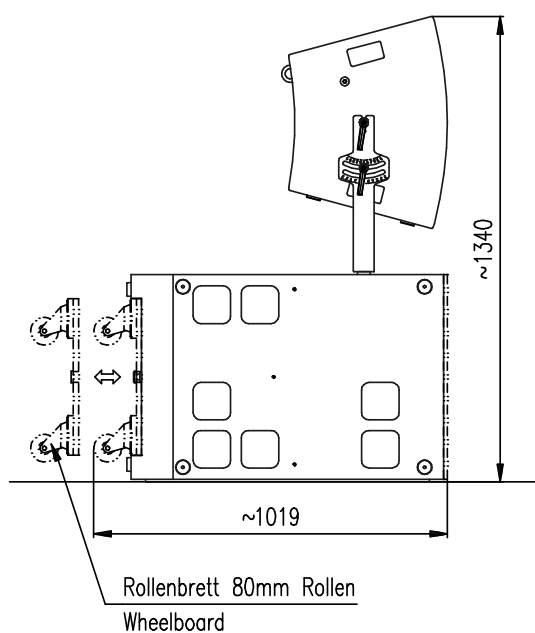


VPT-6 + AM-20

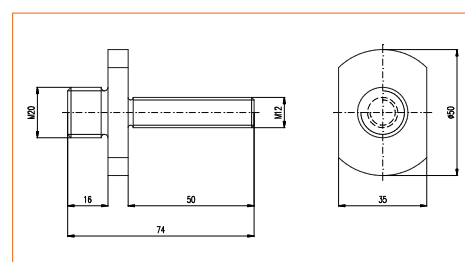
Front view



Side view



AM-20 single part



High-performance Bi-Amping loudspeaker system in Line-Array technology

High-performance Bi-Amping loudspeaker system in line-array technology, equipped with six 6,5" neodymium low-/mid speakers and three 1,4" neodymium compression drivers. The compression driver works on a special WaveLine HF-Phase-EQ Wave Guide. Controlling with two separate amplifier channels (biamp), which makes lossy switch elements unnecessary. 6 ohms per frequency-path allow an effective amplifier usage with the corresponding 4-channel system-amplifier D-4.1200. The symmetrical arrangement guarantees an even horizontal sound inclination of 100° and a narrow vertical sound inclination angle of 30°. The speaker is able to generate acoustic pressure of maximal 135dB / 138 dB (LMF / HF) with a very wide frequency range of 65 Hz to 20 kHz. Very robust multiplex birch wood housing strengthened with metal brackets for fulfillment of all safety regulations. Very light weight with only 39 kg. Highly scratch proof textured black lacquer and black frontal acoustic foam. Optionally all RAL-colours, flying cradle, stacking cradle and various mounting adapters available. Simulation data for simulation program EASE available.

electro-acoustical features

acoustic design	2-way Bi-Amping full-range loudspeaker system in line array technology, bass reflex, fully hornloaded
system components	6x 6,5" long excursion chassis, 3x 1,4" compression driver on hornloaded Waveguide, fully neodymium
power rating LMF/HF (nominal)	900W / 210W
power rating LMF/HF (program)	1800W / 420W
power rating LMF/HF (peak)	3600W / 840W
sensitivity LMF/HF	101dB / 114dB
maximum SPL LMF/HF	135dB / 138dB
frequency range	65 Hz – 20 kHz
nominal dispersion	100° x 30°
nominal impedance LMF/HF	6 ohms / 24 ohms

features

enclosure	multiply birch plywood
protection grill	ball impact-resistant protection steel grill, powder-coated
suspension points	6x M10 and 2x M8 thread
connectors	2x Neutrik NL4 speakon
standard colour	scratch-resistant polyurethan coating, black
frontal design	acoustic foam, same colour like enclosure
dimensions (H x W x D)	500 x 610/390 x 455 mm
weight	39 kg

optional features

optional colours	all RAL-colours
weather resistance	Membranimpregnierung




CAAD simulation data EASE

Make Fohhn Audio AG
Type PT-6

SOUNDS PERFECT. IS PERFECT.

Fohhn audio systems. The ultimate all-round audio experience.



 German quality
 engineered and made
 by Fohhn®

Fohhn Audio AG

Hohes Gestade 3-7

72622 Nürtingen

Germany

Tel. +49 7022 93323-0

Fax +49 7022 93324-0

www.fohhn.com

info@fohhn.com