



100%
FIXED

100%
MOBILE

LX-10 AND LX-11

SOUND PERFECTION FOR SMALL ROOMS AND SHORT DISTANCES.

High quality sound is just as important for small rooms, short distance coverage and nearfield applications. That's why we developed the ultra-compact, LX-10 and LX-11 2-way professional loudspeakers. The systems are equipped with high performance 4"/0.75" neodymium drivers and include a passive crossover with electronic Intelligent Protection Circuit (IPC). The speaker chassis have a coaxial construction. Developed in exactly the same way as our larger loudspeaker systems, the LX-10 and LX-11 are outstanding for their even sound coverage, flat frequency response and excellent reproduction of speech and music.

THE MAIN FACTS AT A GLANCE

- Ultra-compact nearfield loudspeakers
- Specially developed 2-way coaxial design
- Excellent reproduction of speech and music
- Very good speech intelligibility
- Very even sound coverage
- High quality speakers
- Highly developed electronic Fohhn IPC high frequency protection (as found in our larger PA systems)
- Elegant design; integrates perfectly into room architecture

APPLICATIONS

→ Ideal for demanding nearfield applications, small conference rooms, boardroom meetings, under balcony, TV and broadcast monitoring, restaurants, bars, surround sound etc.

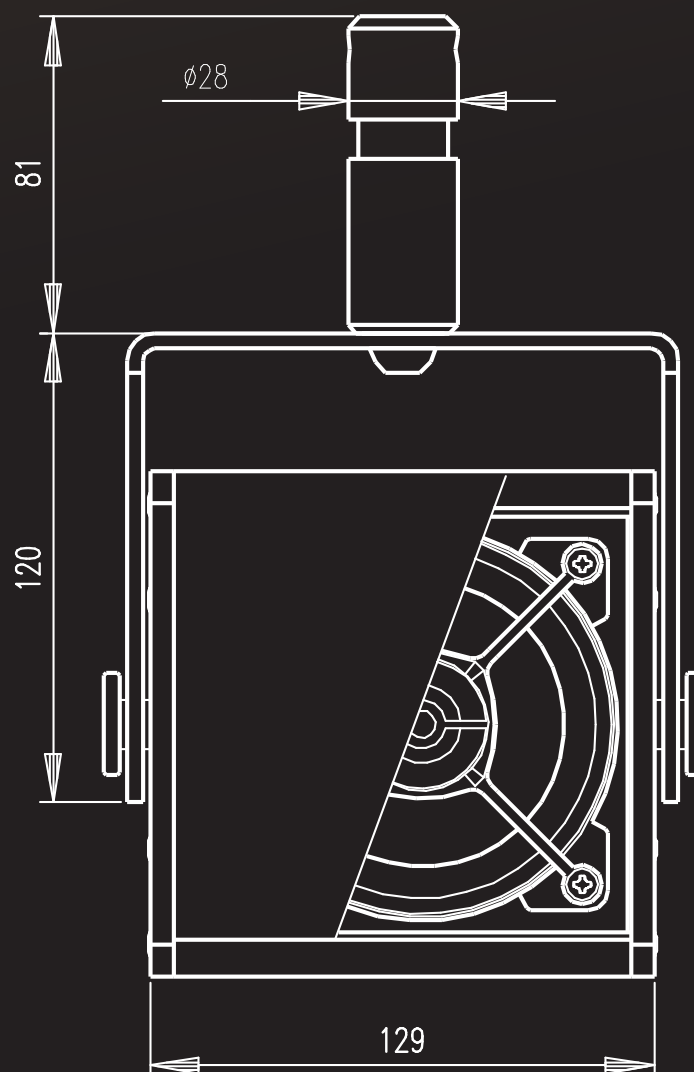
ARTICLE NUMBERS

| | |
|--------------|------------|
| LX-10, BLACK | 1207-B0AA0 |
| LX-10, WHITE | 1207-W0AA0 |
| LX-11, BLACK | 1210-B0000 |
| LX-11, WHITE | 1210-W0000 |

GOOD THINGS COME IN SMALL PACKAGES

LX-10 AND LX-11:

GREAT PERFORMANCE,
GREAT POWER, PERFECT SIZE.



LX-11 with VLX-11
universal mounting bracket
and TV spigot.

IDEAL FOR FLOWN APPLICATIONS IN
TV/BROADCAST SOUND, EXHIBITION STANDS AND
ALL TYPES OF NEARFIELD USE.

LINEA LX-10 AND LX-11

ULTRA-COMPACT NEARFIELD LOUDSPEAKER SYSTEMS.

A WORD FROM OUR DEVELOPERS

»The basic idea behind our LX-10/LX-11 systems involved the development of an ultra-compact, very high performance 2-way nearfield system. Many of our customers had expressed a wish for an extremely compact system, based on the same design characteristics of our larger Linea-LX systems, that could be used for smaller rooms, front fill, delay line or monitoring applications.

Despite their compact size, the new systems generated an enormous list of requirements including maximum set-up flexibility, excellent reproduction of speech and music, even coverage, high resistance to feedback and reliable operation to name but a few.

Even for nearfield/monitor use – which invariably involves being near microphones - all these aspects had to be meticulously considered and factored into the development process in exactly the same way as with our larger systems. Following a series of prototypes, it was decided that using special performance-optimised loudspeakers with a 2-way coaxial construction was the best way forward. To guarantee maximum protection of the high frequency drivers, Fohhn's own Intelligent Protection Circuit (IPC) was implemented. This same system is also found in larger Fohhn loudspeaker models.«

— The Fohhn Development Team



→ **The ultra-compact AV sound system featuring** a perfect combination of LX-11s and an XS-10 active subwoofer (integrated CLASS D amplifier, 2x 500W, DSP with loudspeaker presets for the LX-11). Up to 8 LX-11 loudspeakers can be used with an active XS-10. LX-11 systems are shown mounted on microphone stands using the VLX-11 universal bracket.



→ **LX-10** – Ideal for fixed installation with rear-mounted 8-pole Phoenix connectors. Optional wall bracket (WAL-03) and angled bracket (QLX-10) also available. All RAL Colours (optional).



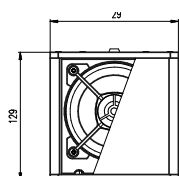
→ **LX-11** – Ideal for mobile applications. Two integrated Speakon connectors. Optional VLX-11 universal bracket for monitor applications. Can also be stand mounted using the SA-3 stand adapter, or flown using the Clamp-1. All RAL Colours (optional).

LINEA

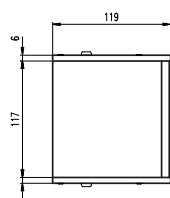
LX-10

LX-11

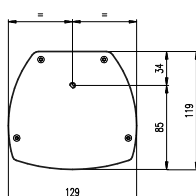
Front view



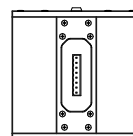
Side view



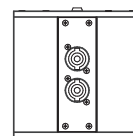
View from above



LX-10 Rear view



LX-11 Rear view



QLX-10



VLX-11



WAL-03



WAL-03



| Model | Linea LX-10 | Linea LX-11 |
|---|--|-------------|
| Electro-acoustical features | | |
| Acoustic Design | compact nearfield speaker system, 2-way coaxial | |
| Components ^[1] | 4"/0,75" Tweeter, with self-resetting IPC ^[*] -HF protection, fully neodym. | |
| Power rating (nominal) ^[1] | 50 W | |
| Power rating (program) ^[2] | 100 W | |
| Power rating (peak) ^[3] | 200 W | |
| Sensitivity ^[4] | 86 dB | |
| Maximum SPL ^[3] | 109 dB | |
| Frequency range ^[5] | 90 Hz - 20 kHz | |
| Nominal dispersion ^[6] (h x v) | 100° x 100° | |
| Nominal impedance | 16 ohms | |

| | Linea LX-10 | Linea LX-11 |
|------------------------------|---|----------------|
| Features | | |
| Enclosure | aluminium housing | |
| Protection grille | ball impact resistant metal, powder coating | |
| Rigging points | 2x M6 thread | |
| Connections | 8-pin Phoenix terminal | 2x Neutrik NL4 |
| Standard colours | black or white powder coating | |
| Front design | metal grille in enclosure colour | |
| Dimensions (W x H x D) | 130 x 130 x 120 mm | |
| Weight ^[7] | 1,4 kg | |
| Angle for monitor set-up | stepless with universal bracket VLX-11 | |
| Wall bracket | WAL-03, QLX-10 | — |
| Optional features | | |
| Integrated 100 V-transformer | 10 W/5 W/2,5 W | |
| Optional colours | all RAL colours | |
| Weather resistance | weatherproof | |
| CAAD simulation data | EASE | |

The manufacturer reserves the right to make technical modifications according to legal regulations stipulating the continual improvement of product features. [1] according to IEC-60268-5 long term, [2] according to IEC-60268-5 short term, [3] Peak, 20 ms with band pass filtered pink noise signal according to IEC 60268-2 at one octave above the lower limit of the frequency range. [4] 2,83 V at 8 ohms (2 V at 4 ohms, 4 V at 16 ohms) at a distance of 1 metre under anechoic full space conditions, [5] -10 dB under anechoic half space-conditions, [6] horizontal x vertical at -6 dB, averaged 1-4 kHz, [7] net weight without optional equipment, [*] Intelligent Protection Circuit. Voltage-controlled semiconductor circuit protecting the HFdriver against overload highly effective and with very short attack time.

SOUNDS PERFECT. IS PERFECT.



FOHNN® AWARDS.



LES ETOILES DU SIEL
für Focus Modular

OUR LOVE OF DETAIL GOES FAR BEYOND THIS BROCHURE:

On our website you can find detailed product descriptions, technical data, accessories and full data sheets for download, along with 360° product views, user guides, PDF brochures, CAD drawings, 2D and 3D DWG files, Fohhn software, firmware updates, EASE and ULYSSES simulation data, references and much more.

Visit us at www.fohhn.com



German quality
engineered and made
by Fohhn®

Fohhn Audio AG
Hohes Gestade 3-7
72622 Nürtingen
Germany

Tel. +49 7022 93323-0
Fax +49 7022 93324-0
www.fohhn.com
info@fohhn.com