



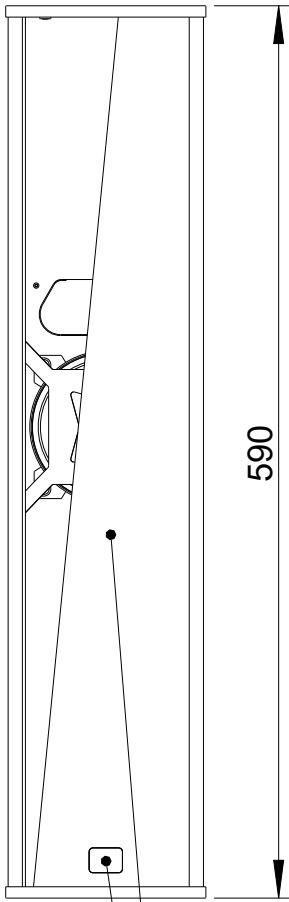
# Media

## Hybrid-1

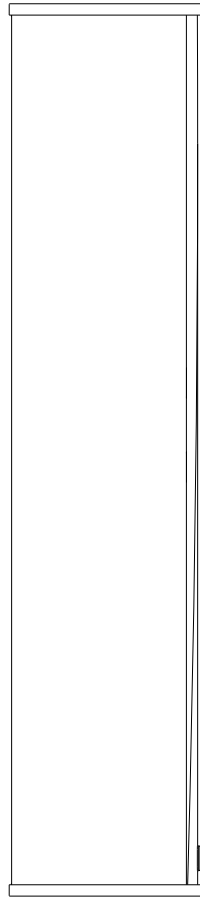
2D drawings

# Hybrid-1 passive

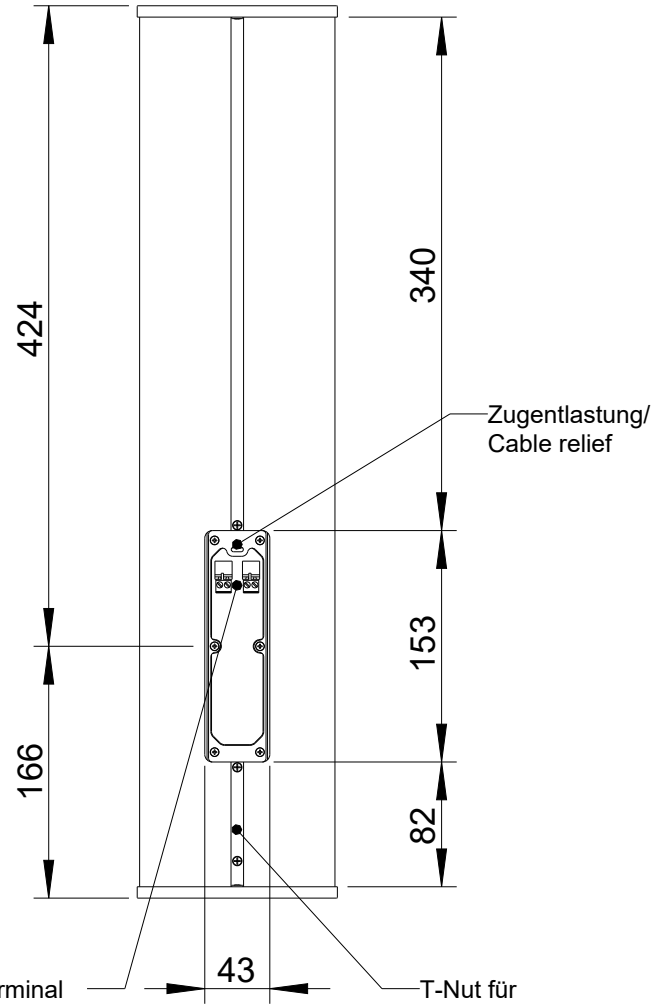
Vorderansicht/  
Front view



Seitenansicht/  
Side view



Rückansicht/  
Rear view



Stahlgitter, mit Akustikschaum hinterlegt/  
Steel grille, backed by acoustically transparent foam

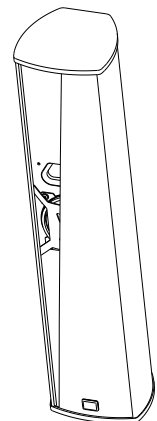
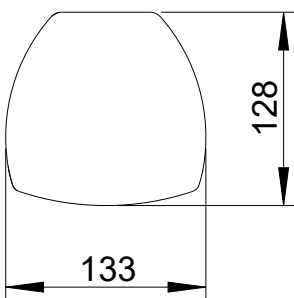
Fohhn Logo, drehbar in 90° Schritten/  
Fohhn-logo, rotatable in steps of 90°

Anschlussterminal 2x 2-Pol Klemme für Input und Link/  
Speaker terminal 2x 2-pin connector for input and link

Zugentlastung/  
Cable relief

T-Nut für Nutensteine M6/  
T-slot for slot nuts M6

Draufsicht/  
Top view

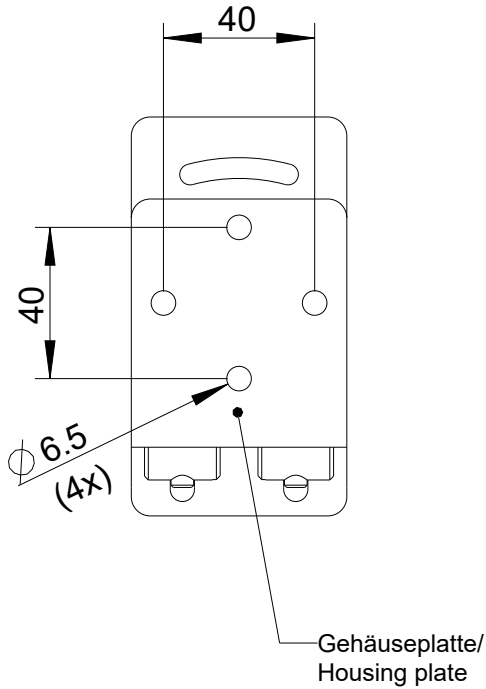


All data and dimensions are subject to change

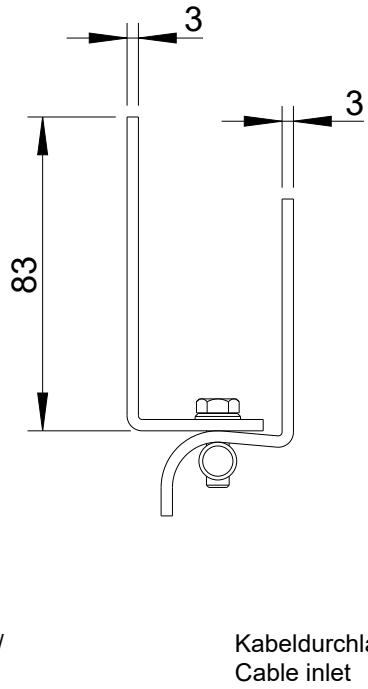
Hybrid-1 passive  
5143-xxxxx

Halter WS-4 / Bracket WS-4

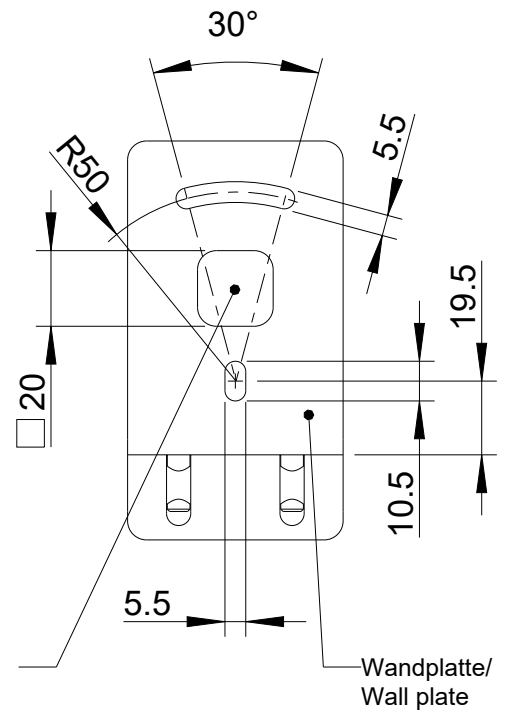
Vorderansicht/  
Front view



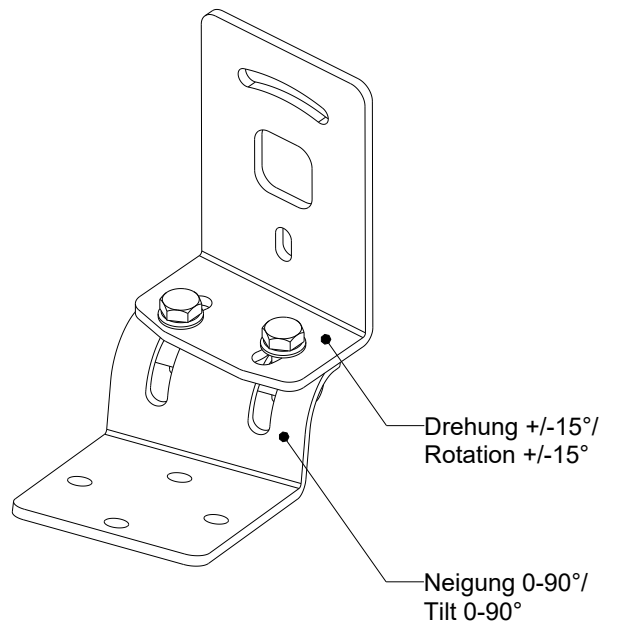
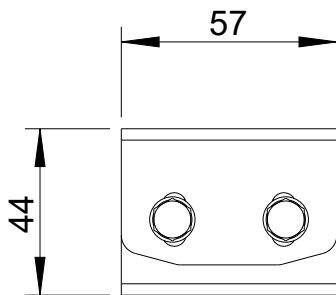
Seitenansicht/  
Side view



Rückansicht/  
Rear view



Draufsicht/  
Top view

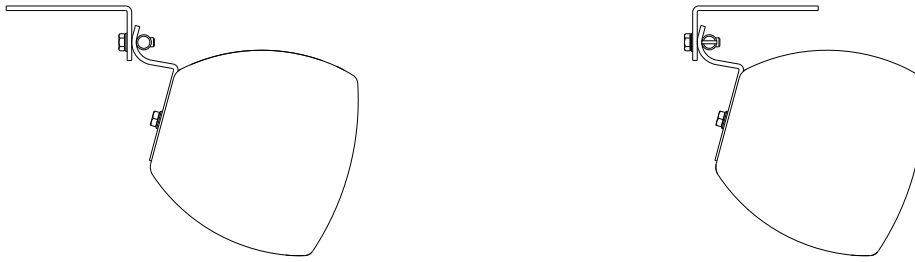


All data and dimensions are subject to change

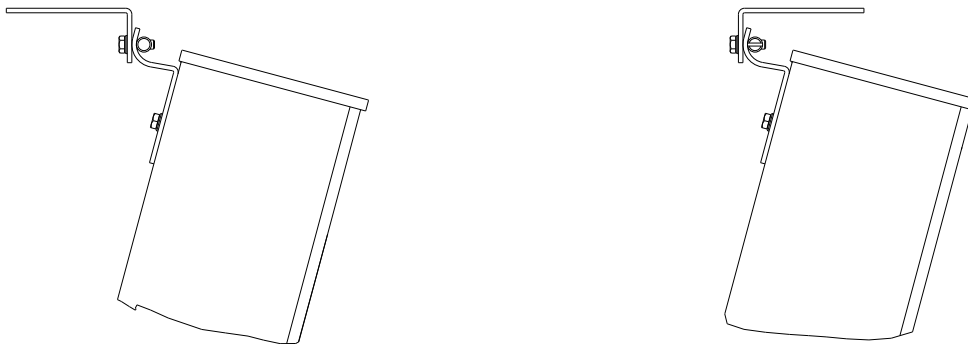
Hybrid-1 passive  
5143-xxxxx

## Mögliche Montagepositionen / Possible assembly positions

### Deckenmontage horizontal / Ceiling horizontal alignment



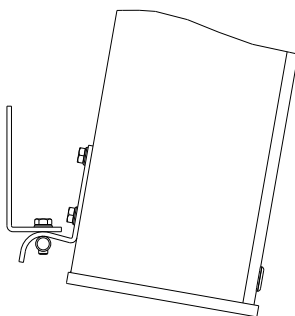
### Deckenmontage vertikal / Ceiling vertical alignment



### Wandmontage horizontal / Wall horizontal alignment



### Wandmontage vertikal / Wall vertical alignment

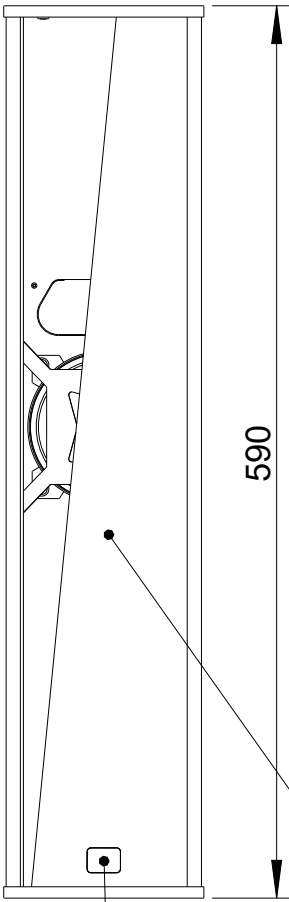


All data and dimensions are subject to change

**Hybrid-1 passive**  
**5143-xxxxx**

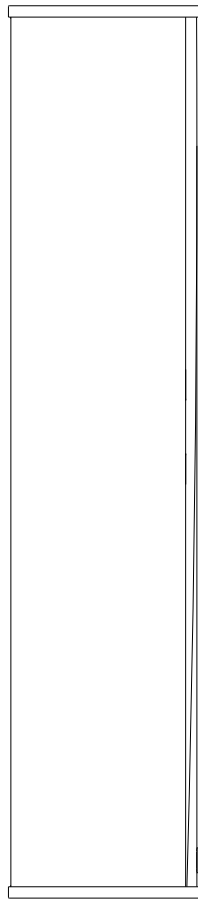
# Hybrid-1

Vorderansicht/  
Front view



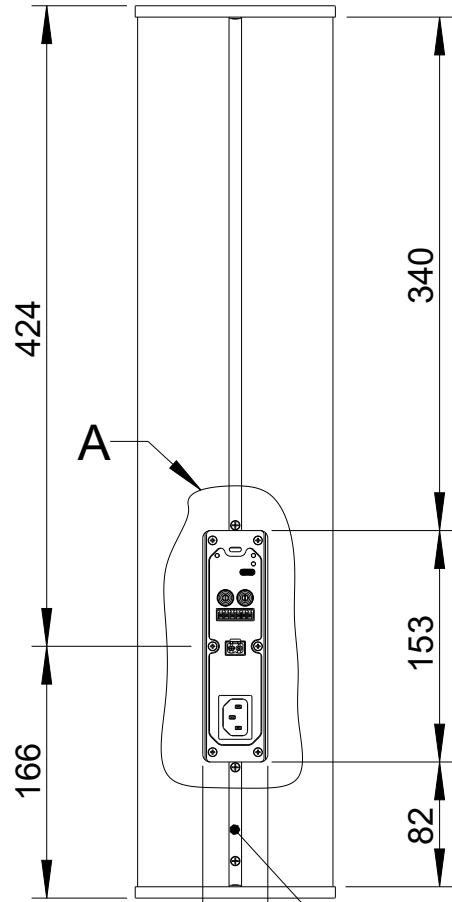
Fohhn Logo, drehbar  
in 90° Schritten/  
Fohhn-logo, rotatable  
in steps of 90°

Seitenansicht/  
Side view



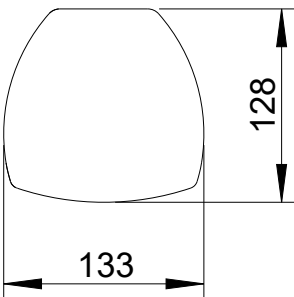
Stahlgitter, mit Akustikschaum  
hinterlegt/  
Steel grille, backed by  
acoustically transparent foam

Rückansicht/  
Rear view

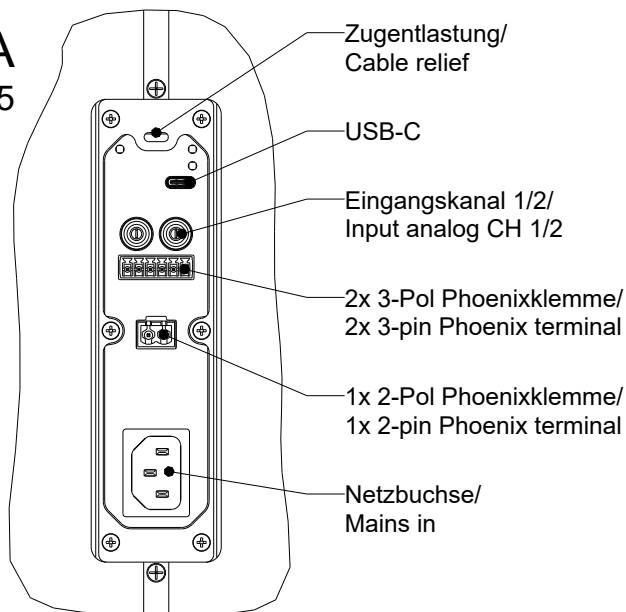


T-Nut für  
Nutensteine M6/  
T-slot for  
slot nuts M6

Draufsicht/  
Top view



A  
2:5

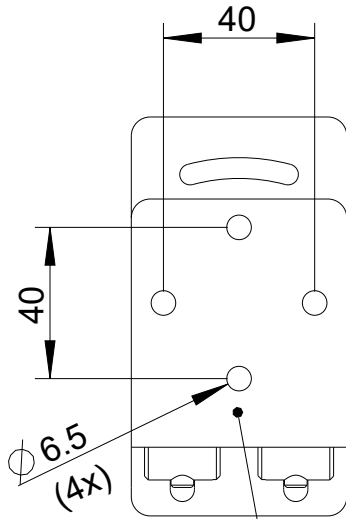


All data and dimensions are subject to change

Hybrid-1  
5142-xxxxx

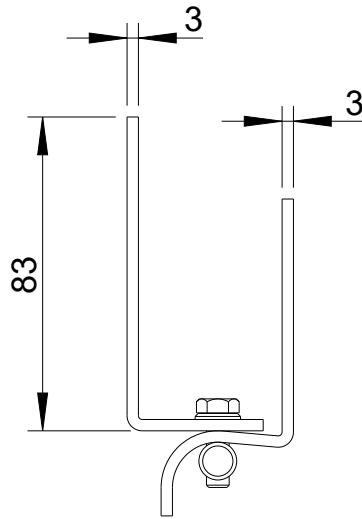
# Halter WS-4 / Bracket WS-4

Vorderansicht/  
Front view



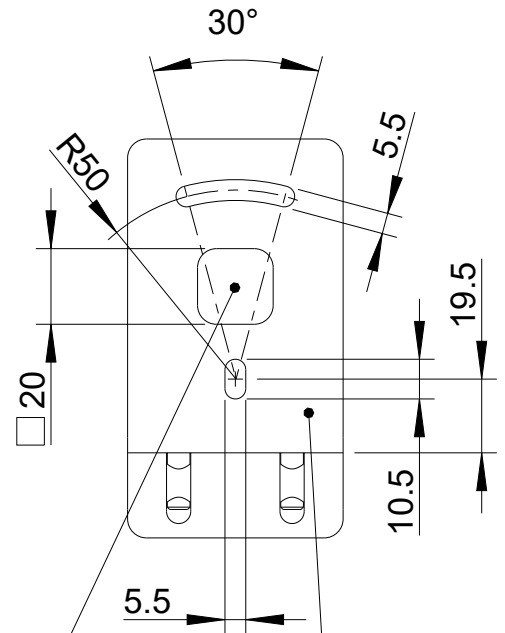
Gehäuseplatte/  
Housing plate

Seitenansicht/  
Side view



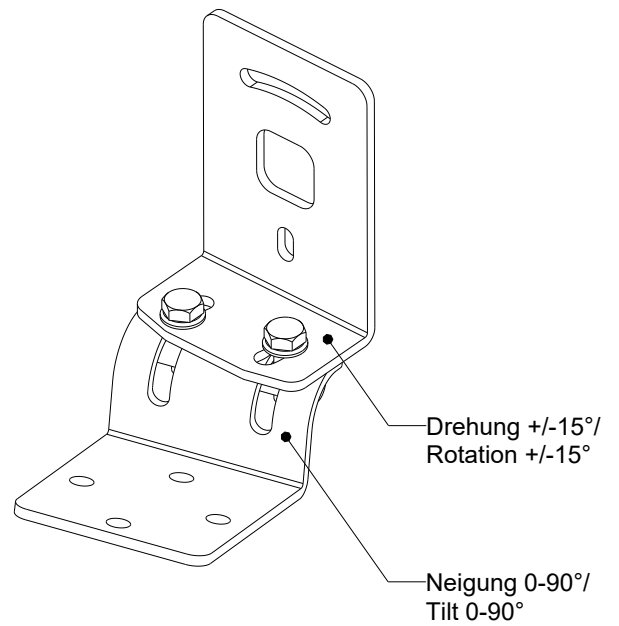
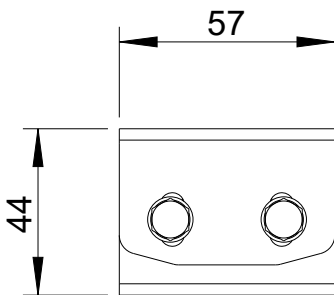
Kabeldurchlass/  
Cable inlet

Rückansicht/  
Rear view



Wandplatte/  
Wall plate

Draufsicht/  
Top view



All data and dimensions are subject to change

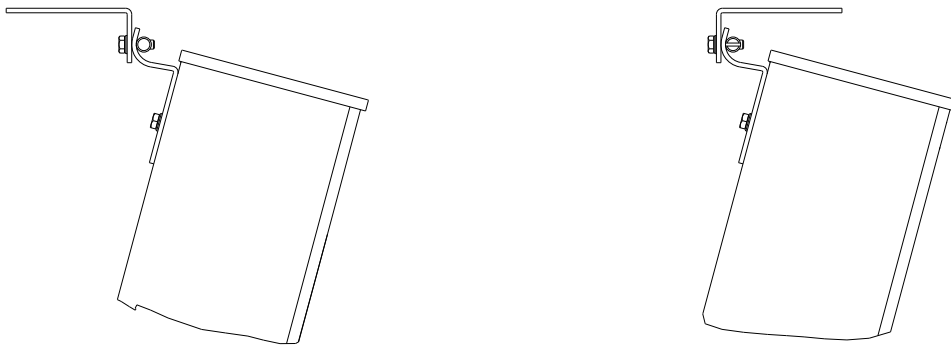
Hybrid-1  
5142-xxxxx

## Mögliche Montagepositionen / Possible assembly positions

### Deckenmontage horizontal / Ceiling horizontal alignment



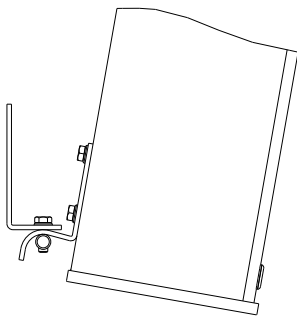
### Deckenmontage vertikal / Ceiling vertical alignment



### Wandmontage horizontal / Wall horizontal alignment



### Wandmontage vertikal / Wall vertical alignment



All data and dimensions are subject to change

**Hybrid-1**  
**5142-xxxxx**

**Fohhn Audio AG**  
**Großer Forst 15**  
**72622 Nuertingen**  
**Germany**

**Phone +49 7022 93323-0**  
**Fax +49 7022 93324-0**  
**[www.fohhn.com](http://www.fohhn.com)**  
**[info@fohhn.com](mailto:info@fohhn.com)**



Fohhn Audio AG reserves the right to make changes to its product design and technology without notice. All information is subject to change.  
© 2022, Fohhn Audio AG, Germany.