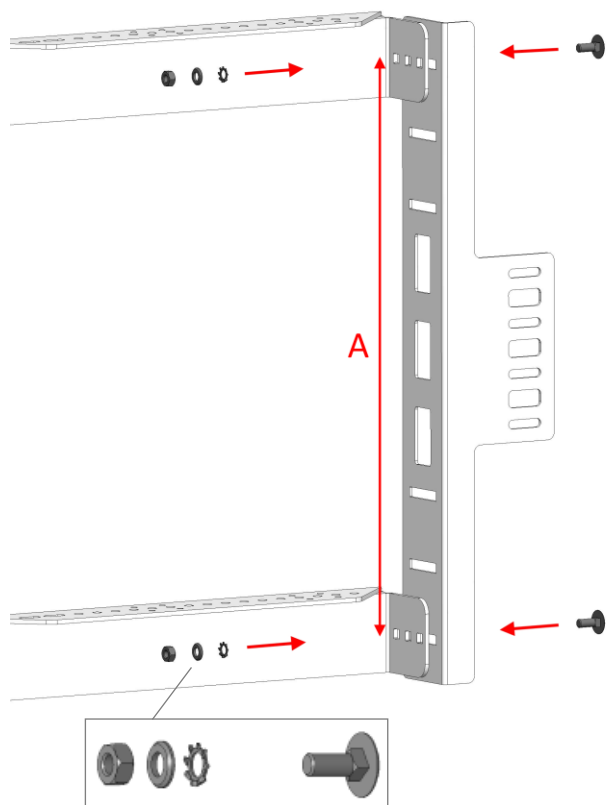
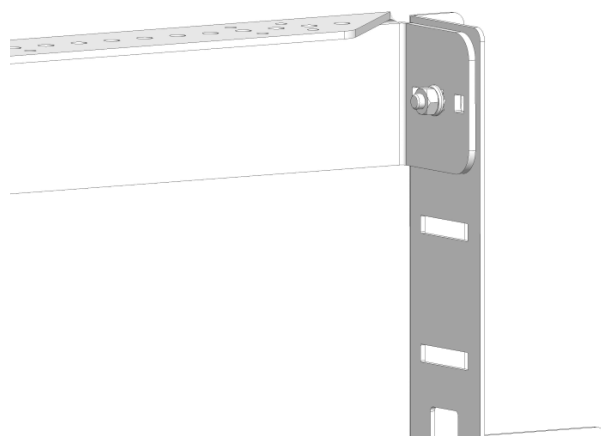
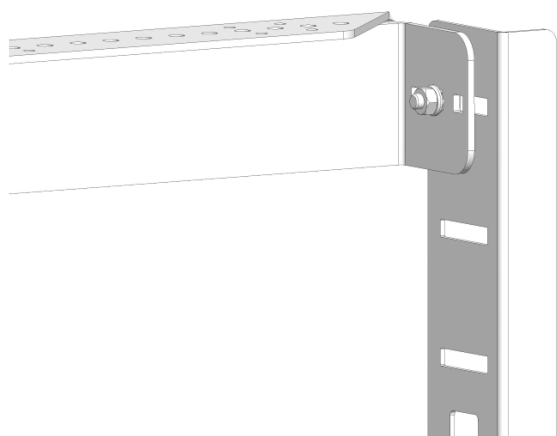
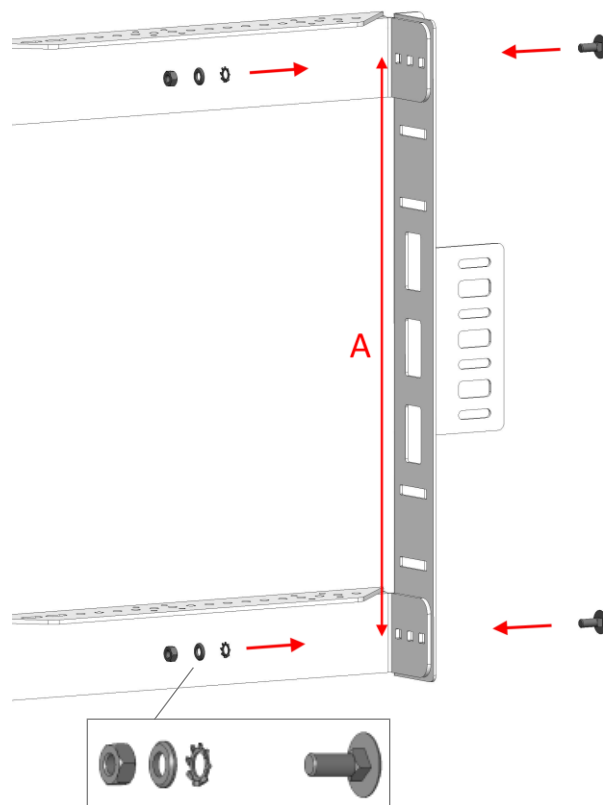


## Assembly Guide for VESA-Bracket-S/L

1.

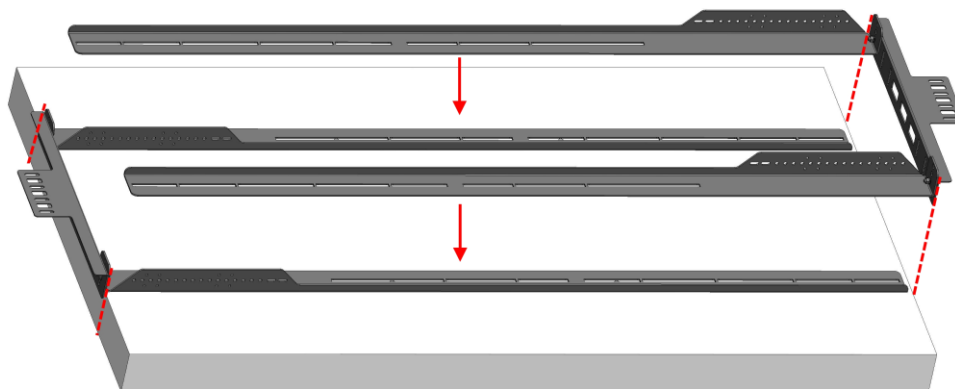


2.



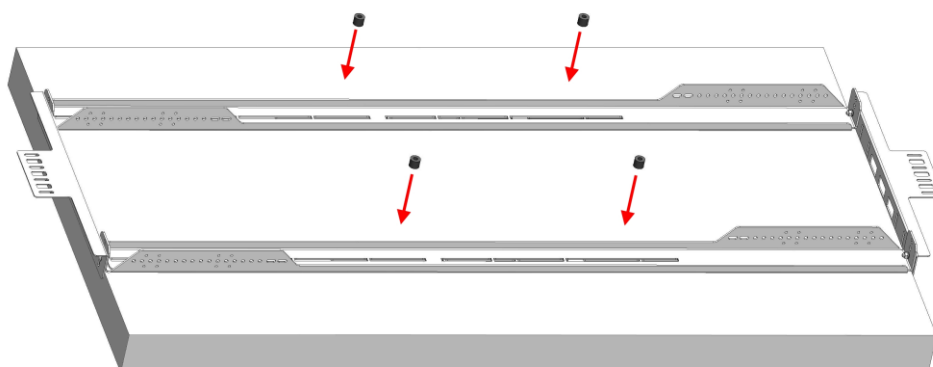
Arrange the six bracket parts according to the images in 1. or 2.  
If depth of display is smaller than or equal to 90 mm, refer to image 1., otherwise to image 2.  
Choose dimension "A" according to your display's VESA standard (200, 300 or 400 mm).  
Screw the parts together using carriage bolt, tooth lock washer, washer and nut.

3.



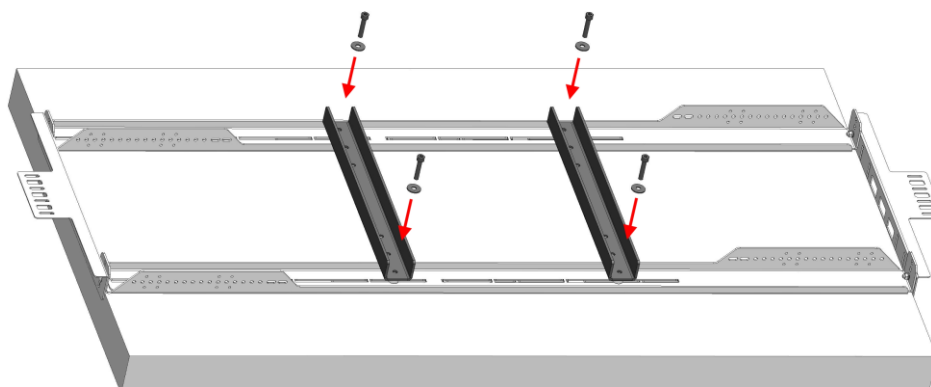
Put the VESA-Bracket-S/L against the rear of your display and align it with the display's outer edge as shown.

4.



Place 15 mm spacers on the VESA-Bracket-S/L right above all VESA threads.

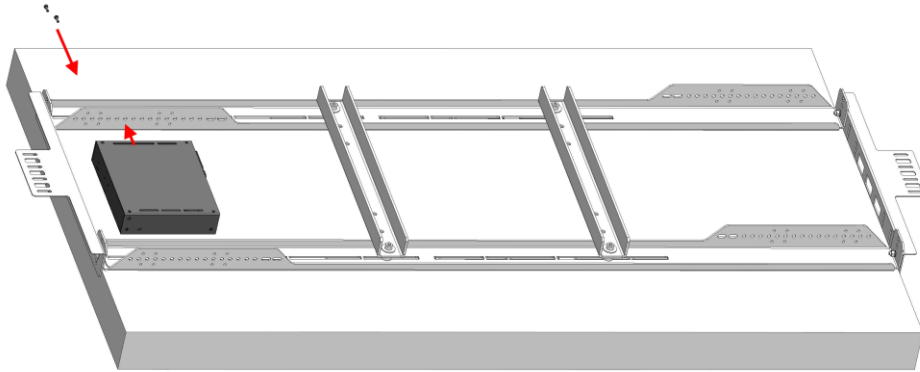
5.



Place the VESA wall mount kit of the display on top of the VESA-Bracket-S/L and screw them together using Allen bolts and washers.

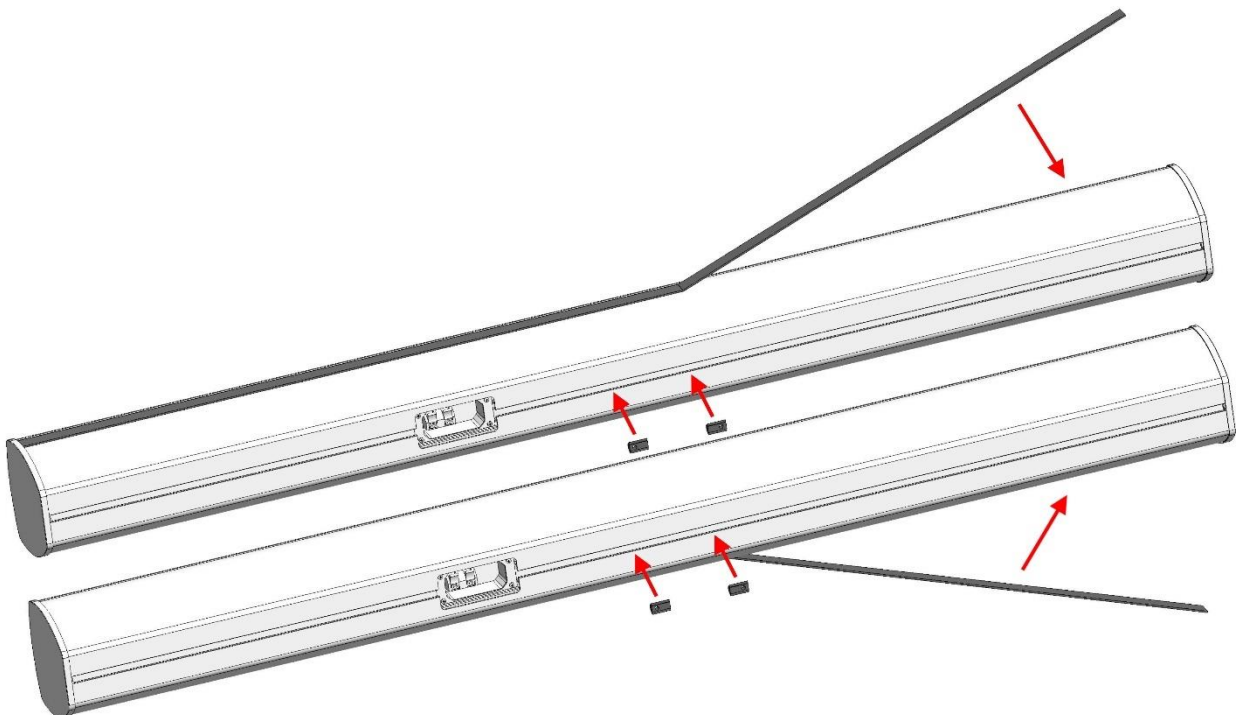
**!** **Caution:** Make sure the screws are of sufficient length according to VESA standard and the display's manual and will carry the total weight.

6.



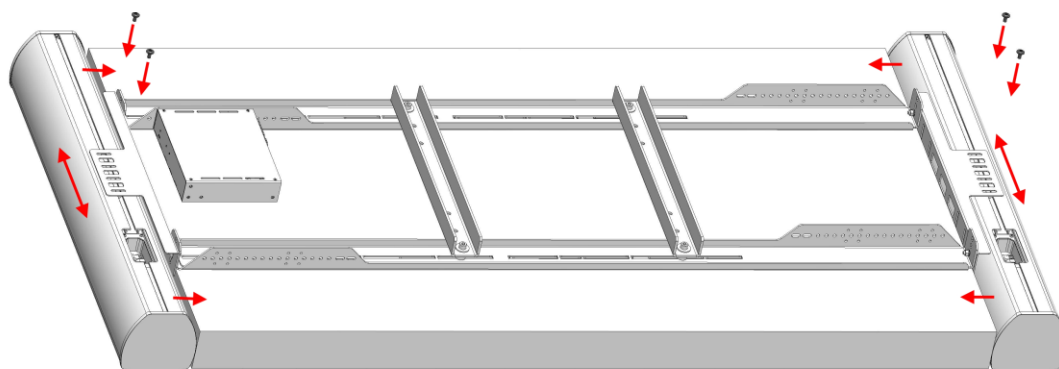
Attach a Fohhn system amplifier (e.g. MA-4.100) to the bracket. There are several possible positions left and right.

7.



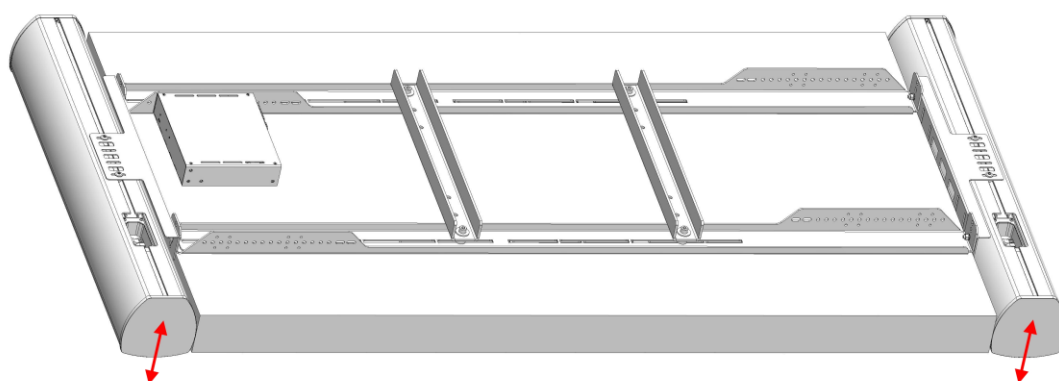
Insert two M6 slot nuts into the T-slot of each speaker.  
Attach the adhesive sealing tape to both enclosures as shown. Cut off the excess length.

8.



Push the speakers against the display and align them vertically.  
Bolt them to the VESA-Bracket-S/L using the slot nuts and M6 Allen bolts.

9.



If desired, align the speakers in depth to level with the display's screen. Please refer to 1. or 2.  
Make sure all screws and nuts are tightened correctly.