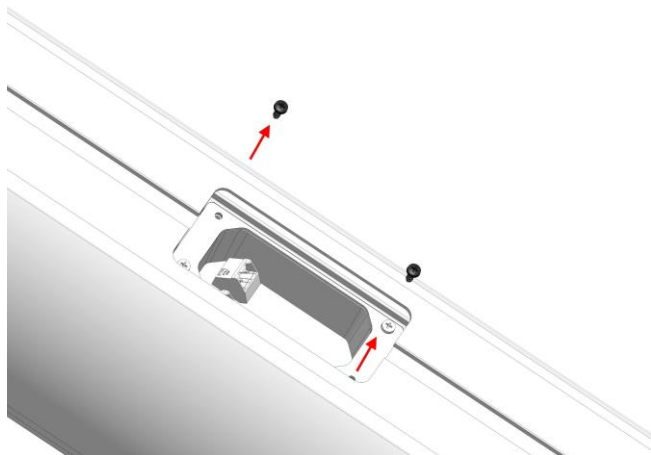


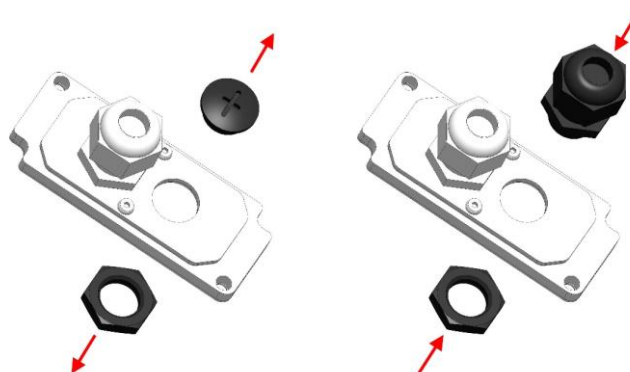
## Assembly guide Cable gland set (8028-xxxxx)

1.



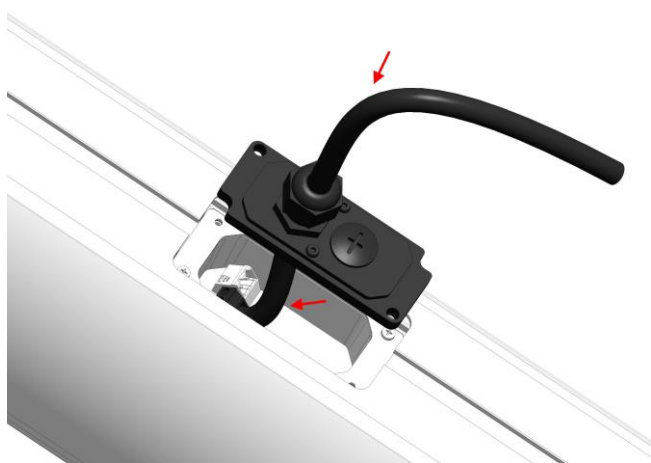
Remove two screws: Top right and bottom left

2.



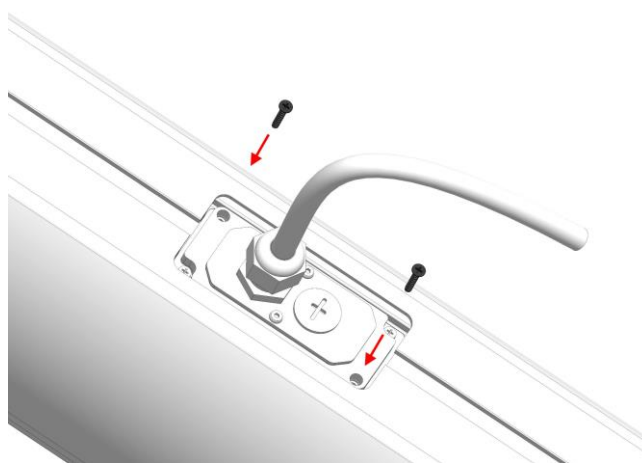
If a second cable is used, e.g. as link, remove the M16 locking screw and replace it with the second cable gland coming with this set.

3.



Guide the cable through the cable gland.  
Connect the wire strands to the plug and plug it into the socket.

4.



Place the cable gland plate on top of the speaker terminal and fasten it with the two screws coming with this set.

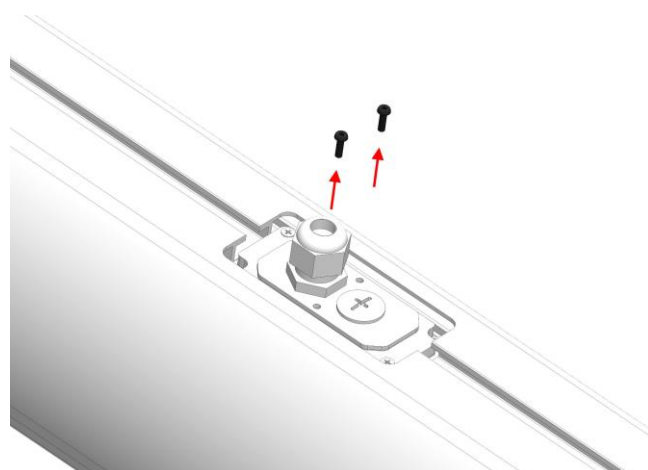
Be careful not to overtighten them.

5.



Tighten the nut(s) of the cable gland(s).

6.



For any further service or assembly tasks, remove the cable gland plate by unscrewing the two M3 pan head screws.